

PRODUCT NUMBER
77773-YXXLF

WHEN REQUIRED, ADD SUFFIX LETTER "LF"
INDICATES THE PRODUCT IS RoHS
COMPATIBLE, SEE NOTE 7

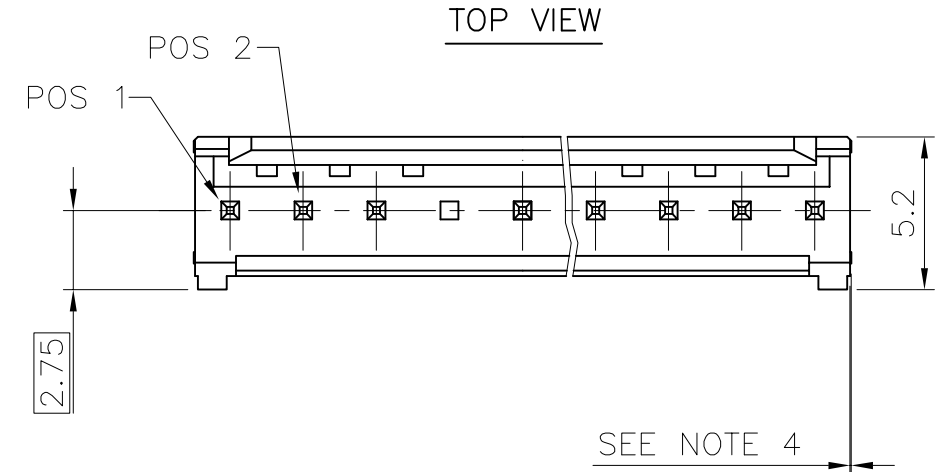
PLATING

3=0.76μm GOLD/GXT ON CONTACT AREA
3.81μm TIN-LEAD ON TAIL

4=3.81μm TIN-LEAD ON CONTACT AREA
AND ON TAIL

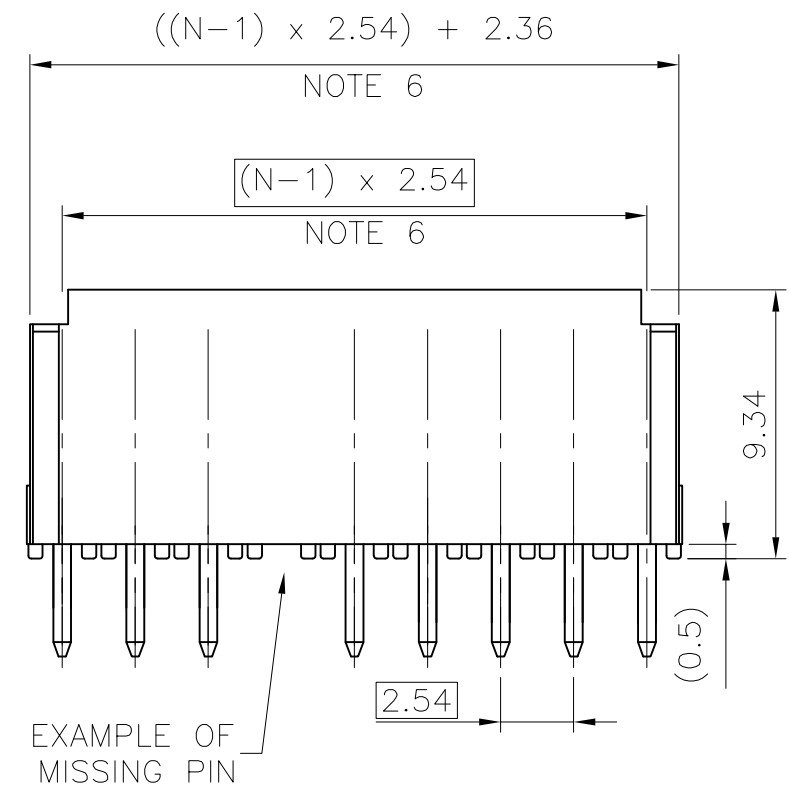
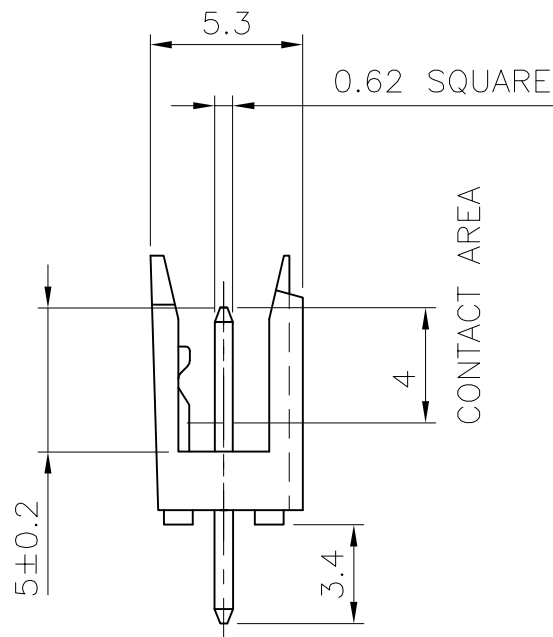
WHEN "LF" IS REQUIRED, 2μm MIN
MATTE TIN OVER 1.27μm MIN NICKEL
IS PROVIDED INSTEAD OF TIN-LEAD

STYLE	SIZE	OMIT PIN POSITION FROM TOP VIEW
01	1x09	2
02	1x35	4;5;6;7;8;12;13;14;15;16;20;21;22;23;24;28;32
03	1x21	2;4;6;8;10;12;14;16;18;20;21
04	1x21	1;2;4;6;8;10;12;14;16;18;20
05	1x10	8
06	1x06	1
07	1x08	7
08	1x04	2
09	1x04	3
12	1x21	2;4;6;8;10;12;14;16;18;20
13	1x05	2;4

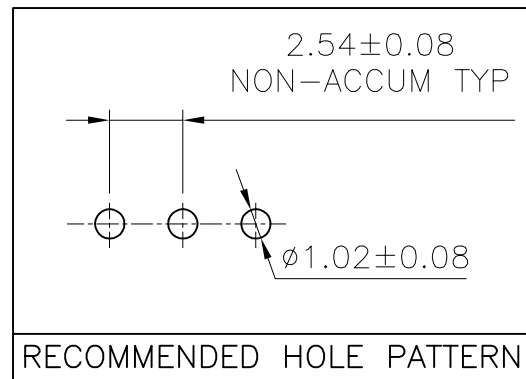


NOTES:

- BODY MATERIAL: POLYESTER 30% GLASSFILLED COLOR BLUE, FLAME RETARDANT PER UL-94 V0.
- CONTACT MATERIAL: PHOSPHOR BRONZE.
- 22N MIN PIN RETENTION IN EITHER DIRECTION
- 0.6 MAX PROTRUSION PERMITTED AT 4 PLACES
- PACKAGING :
- POLYBAGS FROM 02 TO 06 POSITIONS
- TUBE FROM 07 TO 36 POSITIONS
- TO DETERMINE DIMENSIONS :
N = NUMBER OF POSITIONS PER ROW
EXAMPLE : 8 POS N x 2.54 = 20.32mm
- RoHS COMPATIBLE PRODUCT SPECIFICATIONS



- PLATING:
- "LF" MEANS THE PRODUCT IS LEAD-FREE, 2μm MINIMUM MATTE TIN OVER 1.27μm MINIMUM NICKEL UNDERPLATE.
- MANUFACTURING PROCESS COMPATIBILITY
- THE HOUSING WILL WITHSTAND EXPOSURE TO 245°C ±5°C SOLDER BATH TEMPERATURE FOR 5 SECONDS IN A WAVE SOLDER APPLICATION WITH A 1.6mm MIN THICK CIRCUIT BOARD.
- LABELING:
- MEETS PACKAGING SPECS AS PER GS-14-920
- LEGAL STATEMENT: SEE GS-22-008



mat'l. code SEE P/N		surface ISO 1302	tolerance ISO 406 ISO 1101	projection	product family DUBOX HDR
ltr	ecn no	dr	date	tolerances unless otherwise specified	title DUBOX,SR,STR SELECTIVELY LOADED
V	F08-0147	YOV	08.04.14	angles linear .X ±0.3 .XX ±0.15 .XXX ±0.05	scale 4:1
P	F04-0309	LMU	04.06.17	dr	COMPAGNON J 95.03.06
R	F05-0117	LMU	05.01.27	enr	PHAMVAN JM 95.03.06
S	F05-0156	LMU	05.03.22	chr	JMC 95.04.04
T	F05-0244	JCO	05.09.06	appd	JMP 95.04.04
U	F06-0228	LMU	06.07.11		
sheet index	revision sheet				

dwg no 77773 sheet 1 of 1 size A3
type CUSTOMER Drawing